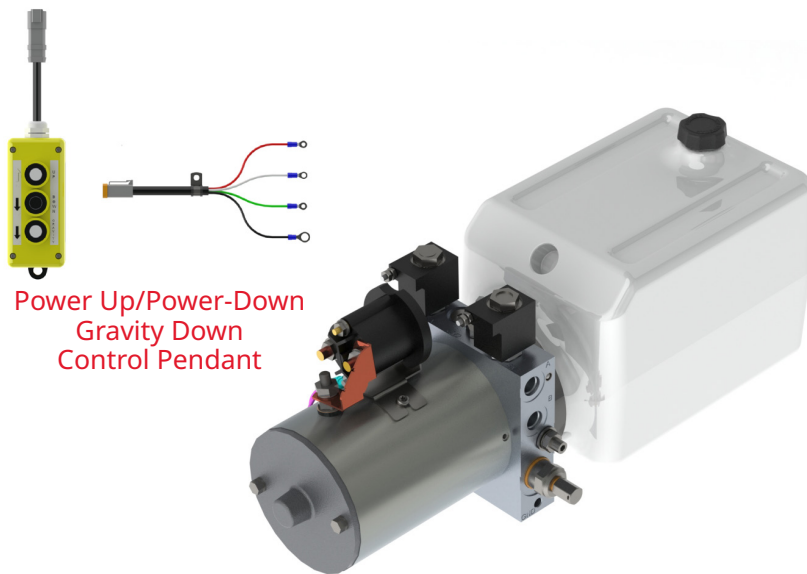


The Quality You Expect, The Efficiency You Deserve

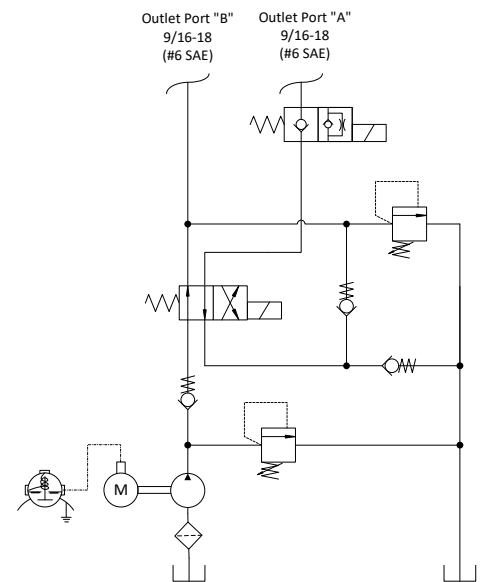
Power Up / Power Down / Gravity Down System (M-3555)

- Hard Coated Pump End Plates for Unmatched Durability
- Externally Adjustable Relief Valves
- Weatherproof 3 Push-Button Control Pendant
- Power Retract When Necessary
- Improved Energy Efficiency vs Traditional Double Acting System



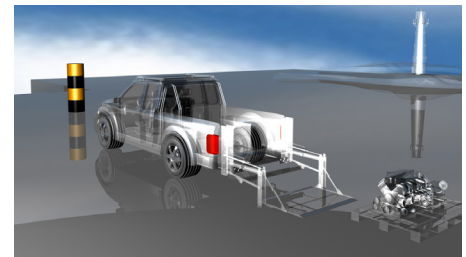
Power Up/Power-Down
Gravity Down
Control Pendant

Hydraulic Schematic



Typical Applications

- Dump Trailers • Aerial Platform Lifts • Leveling Systems • Lift Tables • Dump Bodies •



JEM Technical
550 N. Old Crystal Bay Road
Orono, MN 55356
p: 888.256.8266
www.info@jemtechnical.com

JEM Technical
60 De Baets Street
Winnipeg, MD R2J359 Canada
p: 204.654.1743
www.info.ca@jemtechnical.com

Contact JEM Technical to see
how this can become your
Smart Solution today!