

Description:

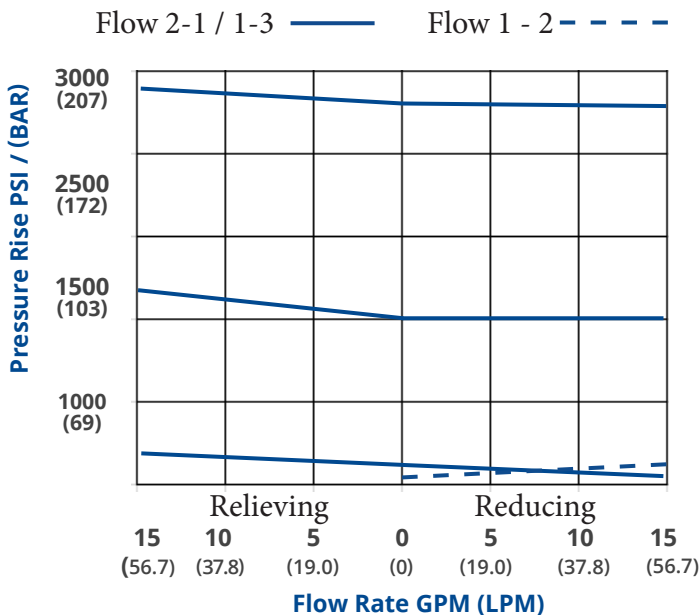
Piloted operated pressure reducing valve with a reverse flow check valve. This assembly allows for reduced pressure in one direction with the ability to flow in the opposite direction.

Features:

- Smooth response to pressure surges
- Optional spring ranges to limit maximum pressure
- Hardened poppet and cage for long life
- Zinc plated exposed steel parts
- Anodized aluminum body for corrosion protection
- Standard setting is 1800 PSI

(Other settings can be specified, see model code on back.)

Flow Characteristics (32 CST / 150 SUS oil at 40C)



Specifications:

Maximum pressure (Aluminum)	3000 PSI (207 BAR)
Maximum setting	3000 PSI (207 BAR)
Maximum flow	15 GPM (57 LPM)
Port size	SAE-08
Maximum drain flow	0.25 GPM (0.95 LPM)
Check valve spring	5 PSI
Body material	Aluminum
Filtration	ISO 4406
Fluids	Mineral based or Synthetics 50-2000 SUS
Approx. Weight	1.9 Lbs.

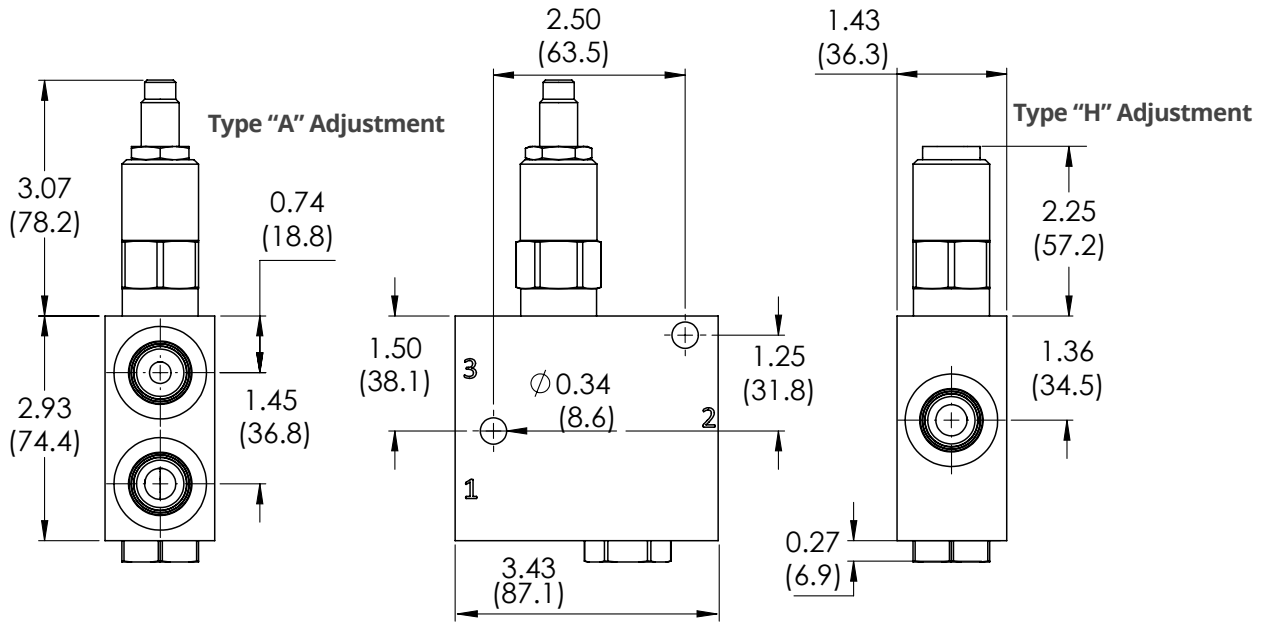
The data and application materials contained herein are furnished for information only and believed to be reliable. Questions regarding specific applications or performance should be directed to JEM's application department. Since our products are being continuously improved, data contained herein is subject to change without notice. Warranty on FastLine products is 1 year from the date of sale.

JEM Technical
(888) 256-8266
www.jemtechnical.com




JEM Technical Canada Ltd.
(204) 654-1743
www.jemtechnical.ca

Installation Dimensions:



() Parentheses = Millimeters

How To Order:

 Example model code is the in-stock FastLine solution

PRCV106 A - 308T _ _ - 18

<p>Base Part No.</p> <p>Adjustment Type: A = 1/4" Hex Allen Head H = Hidden Adjustment</p>	<p>3 Ports Size SAE 08</p> <p>Body Material: Omit = Aluminum D = Ductile *</p>	<p>PRC setting = PSI ÷ 100 Std. adjustment range: 460 - 3000 PSI</p> <p>Seal type: Omit = Buna N V= Fluorocarbon **</p>
--	--	---

Type "A" adjustment is the standard offering. Hidden adjustment may have a longer lead time.
* Ductile bodies have limited availability. Ductile bodies are recommended for working pressures over 3000 PSI.
** Fluorocarbon seals are used when temperatures exceed 212 ° F (100° C).

Typical Cylinder Application

