

Description:

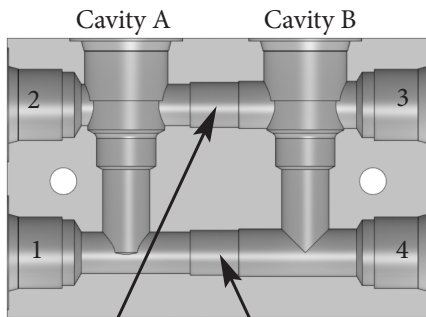
Two cartridge cavities in a simple manifold. Cavities are machined in parallel with the ability to isolate the connection between them. This gives the ability to create a variety of assemblies based on two cartridge circuits.

Note: Flow from port 2-3 is restricted by the flow path around the cartridge.

Features:

- Available in cavity size VC-08 through VC-16
- Most 2 way cartridges may be accommodated
- Industry common cavities
(VC12 is based on HydraForce dimensions)
- Anodized aluminum body

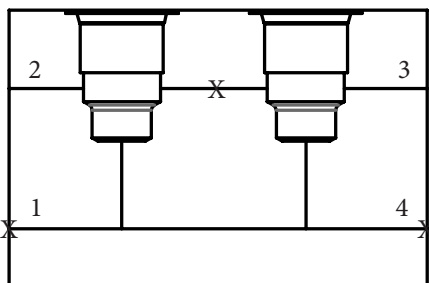
Internal plug options



Plug option between port 2 and 3

Plug option between port 1 and 4

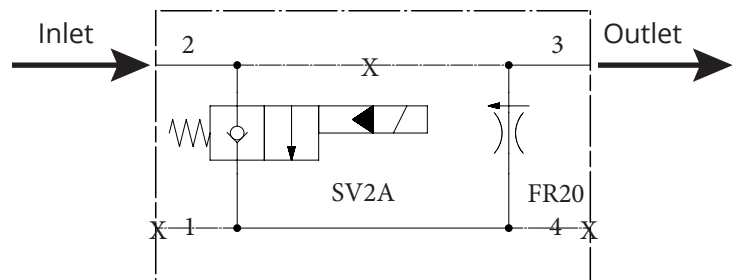
Optional plug example



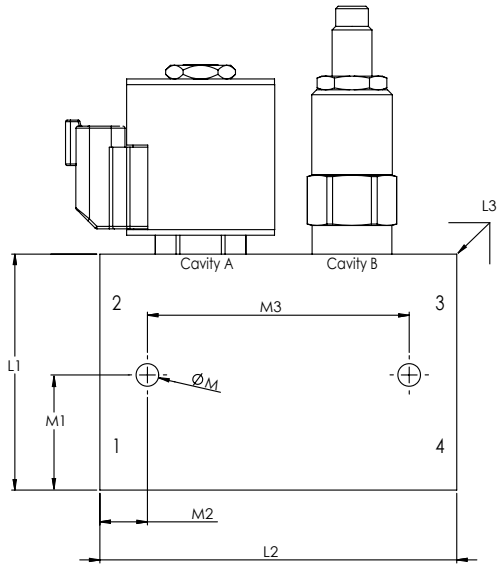
Specifications:

Maximum pressure	3,000 PSI (207 BAR)
Maximum flow	Subject to cartridge
Port size	SAE-06, 08, 12, 16
Body material	Aluminum
Filtration	ISO 4406
Fluids	Mineral based or Synthetics 50-2000 SUS

Optional plug circuit example



The data and application materials contained herein are furnished for information only and believed to be reliable. Questions regarding specific applications or performance should be directed to JEM's application department. Since our products are being continuously improved, data contained herein is subject to change without notice. Warranty on FastLine products is 1 year from the date of sale.



Body	DCBP08	DCBP10	DCBP12	DCBP16
L1	2.43 (61.7)	2.93 (74.4)	3.93 (99.8)	4.43 (127.0)
L2	3.93 (99.8)	4.43 (112.5)	5.93 (150.6)	5.93 (101.6)
L3	1.43 (36.3)	1.43 (36.3)	1.93 (49.0)	2.43 (50.8)
MØ	Ø 0.281 (7.1)	Ø 0.281 (7.1)	Ø 0.41 (10.3)	Ø 0.41 (10.3)
M1	1.21 (30.7)	1.43 (36.3)	1.98 (50.3)	2.31 (58.7)
M2	0.47 (11.9)	0.59 (15.0)	0.65 (16.5)	0.65 (16.5)
M3	3.00 (76.2)	3.25 (82.6)	4.62 (117.3)	4.62 (117.3)

() Parentheses = Millimeters All ports are in the center of the body
*Ductile bodies may be dimensionally different

How To Order: Assembly



Example model code is an in-stock FastLine solution

DCBP 10 0 - RV22A - 18 - SV2AN - 12DT - N - 08T _ _

Base Part No.
Cartridge cavity size:
VC08 = 08
VC10 = 10
VC12 = 12
VC16 = 16
Internal passage plug:
No plug = 0
Between 2 & 3 = 1
Between 1 & 4 = 2
Between 1 & 4 = 3 and 2 & 3

Cavity A: See cartridge Selection below
Cavity B: See cartridge Selection below
Seal Type:
N = Buna N
V = Fluorocarbon **
Port Size:
06T = SAE 06, Standard for DCBP08
08T = SAE 08, Standard for DCBP10
12T = SAE 12, Standard for DCBP12
16T = SAE 16, Standard for DCBP16

Body Material:
Omit = Alum.
D = Ductile *

Port plug:
Omit = No plug
P1 = Plug port 1
P2 = Plug port 2
P3 = Plug port 3
P4 = Plug port 4

* Ductile bodies have limited availability. Ductile bodies are recommended for working pressures over 3000 PSI.
** Fluorocarbon seals are used when temperatures exceed 212° F (100 ° C).

How to specify: Cartridge Selection

Solenoid Valves: SV2A N - 12 DT

Valve Code from page 3

Manual override:
N = No Override *
M = Manual override

Wire connector:
DT = Deutsch*
DL = Lead-wire

Coil voltage:
12 = 12VDC *
24 = 24VDC
Other voltages may be available

Mechanical Valves: RV22 A - 18

Valve Code from page 3

Adjustment Type:
N = Fixed setting
A = Hex allen head*
C = Capped adjustment
H = Hidden adjustment
K = Knob

Valve Setting:
Pressure setting /100
18 = 1800*

Flow control set in GPM
02 = 2.0 GPM *

* Indicated the standard offering.
Non standard selections may delay shipping of the assembly.

Cartridge Selection:

Use the ISO symbol below for cartridge selection. To the right of the symbol is the model code reference. The top of the symbol represents the side of the cartridge and is common to port 2 & 3 in the manifold. The bottom of the symbol represents the nose of the cartridge and is common to ports 1 & 4.

Note:

When performance of the cartridge is critical, request a product data sheet on the specific cartridge. The SV2A & SV2C have severely restricted reverse flow. SV2B & SV2D have free reverse flow. To simplify the model code, reference cartridges in alphabetical order.

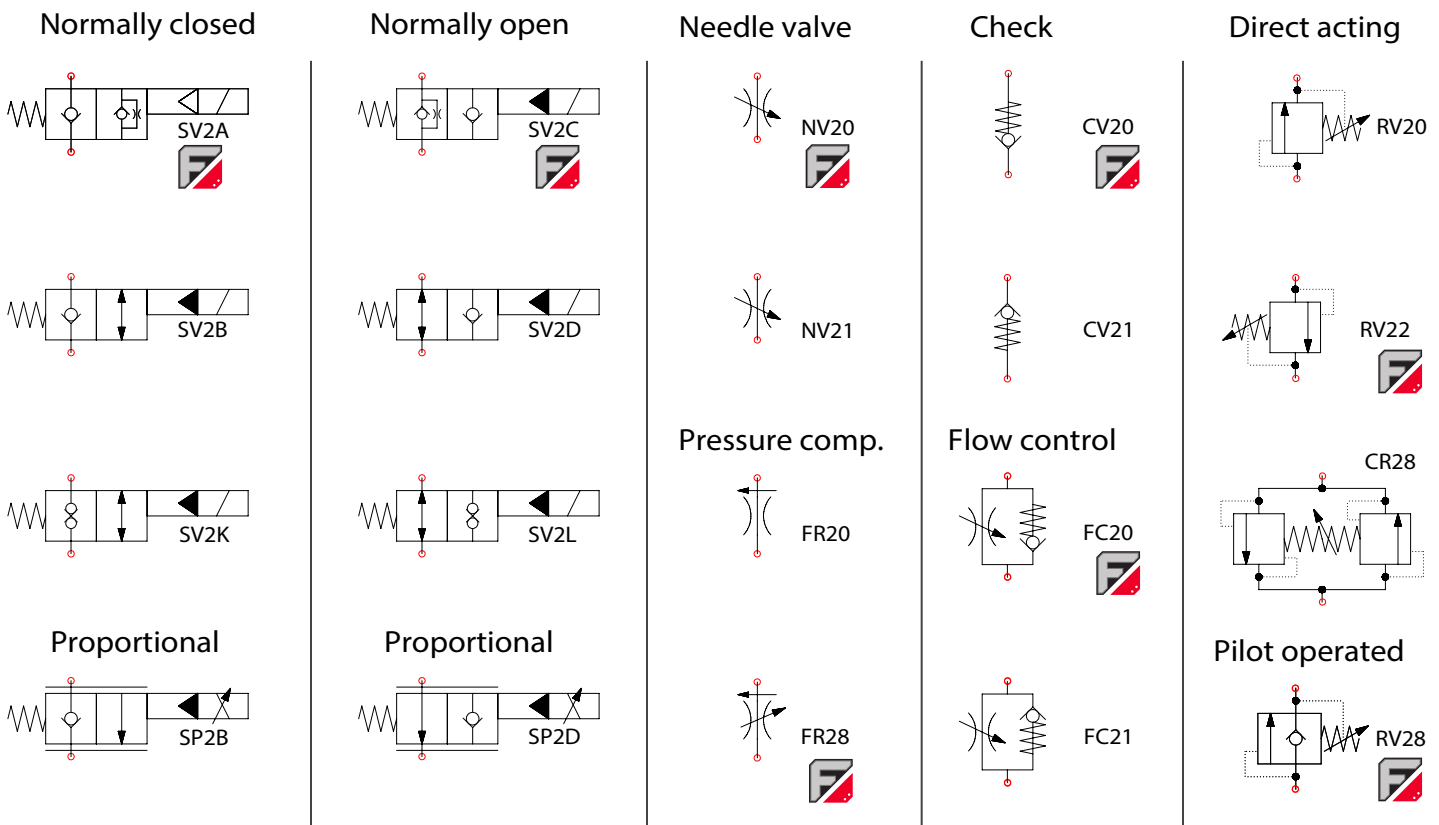
Indicates the cartridge is available as a FastLine quick ship item in the VC10 size assemblies. Other selections may have a longer lead time.

Solenoid Valves

Flow Controls

Directional Controls

Relief Valves



The data and application materials contained herein are furnished for information only and believed to be reliable. Questions regarding specific applications or performance should be directed to JEM's application department. Since our products are being continuously improved, data contained herein is subject to change without notice. Warranty on FastLine products is 1 year from date of sale.

JEM Technical
(888) 256-8266
www.jemtechnical.com



JEM Technical Canada Ltd.
(204) 654-1743
www.jemtechnical.ca

Example Circuits

