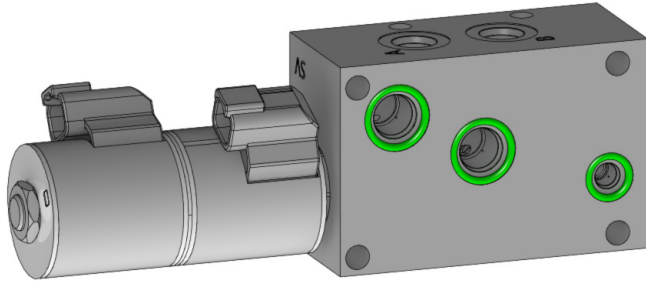


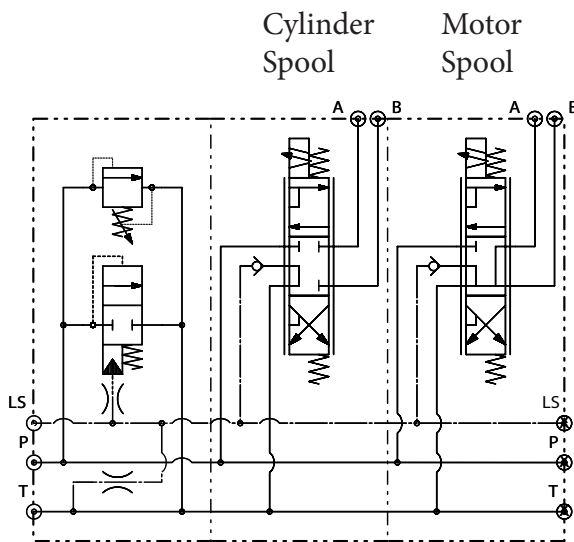
Description:

Sectional type 3 position 4-way valve for low flow load sense applications. Use in conjunction with DC1051-I inlet section.



Features:

- Proportional or On/Off
- 0-6 GPM flow range
- Stack up to 9 sections
- Compact, 2" section width
- Optional manual override for cartridge
- Options for coil voltages and terminals
- IP69K rated coils with 1000 hour salt spray corrosion resistance



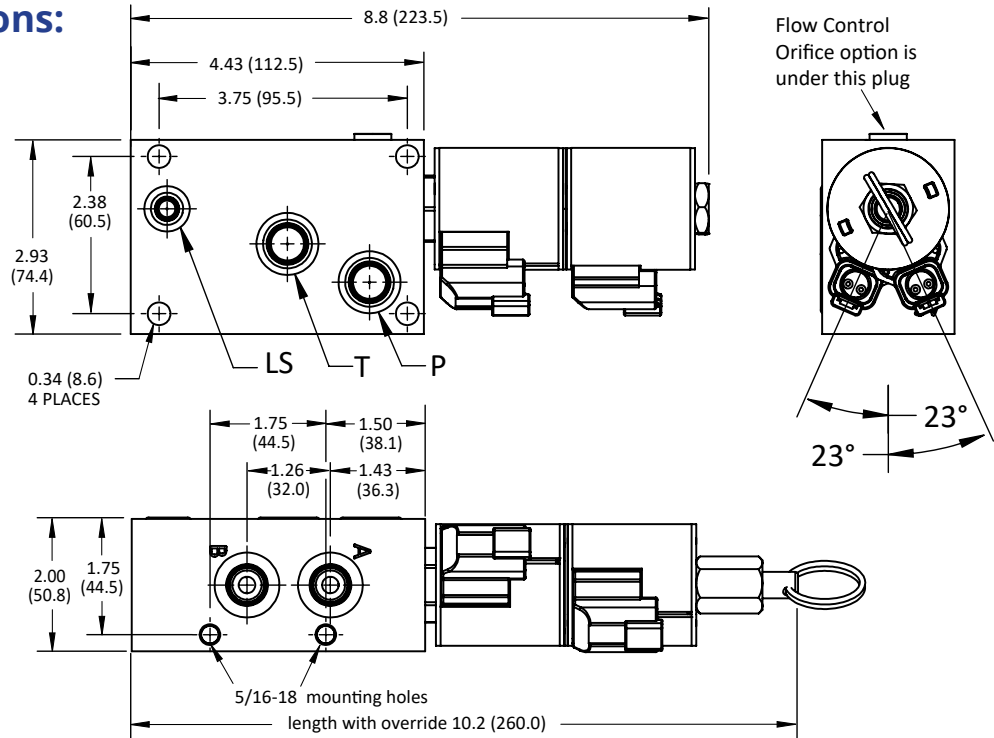
DC1051-I Inlet Section DC1051 Closed work Section DC1051 Open work Section

Specifications:

Maximum pressure	3,000 PSI (207 BAR)
Maximum section flow	6 GPM (23 LPM)
Maximum inlet flow	14 GPM (53 LPM)
Port size	SAE-06
Body material	Aluminum
Cartridge material	Steel
Filtration	ISO 4406
Fluids	Mineral based or Synthetics 50-2000 SUS
Approx. Weight	4.6 lbs.

The data and application materials contained herein are furnished for information only and believed to be reliable. Questions regarding specific applications or performance should be directed to JEM's application department. Since our products are being continuously improved, data contained herein is subject to change without notice. Warranty on FastLine products is 1 year from the date of sale.

Installation Dimensions:



() Parentheses = Millimeters

How To Order:

 Example model code is the in-stock FastLine solution

DC1051 - P58 C N 00 _ - 12 DT

Base Part No.

Control Type
P58 = Proportional

Spool Type

C = Closed work ports *
D = Open work ports *

Override

N = No override
M = Momentary*

Inlet orifice

00 = No orifice *
10 = .10"
Size from .02 - .18"

Terminal Type

DT = Deutsch DT04-2P *
LW = Lead Wires

Coil Voltage & Current

12 = 12 volt DC *
24 = 24 volt DC

Seal type

Omit = Buna N *
V = Fluorocarbon **

* Indicates the standard offering.

** Fluorocarbon seals are recommended when temperatures exceed 212° F (100 ° C). Non standard selections may delay the shipping of the assembly.