



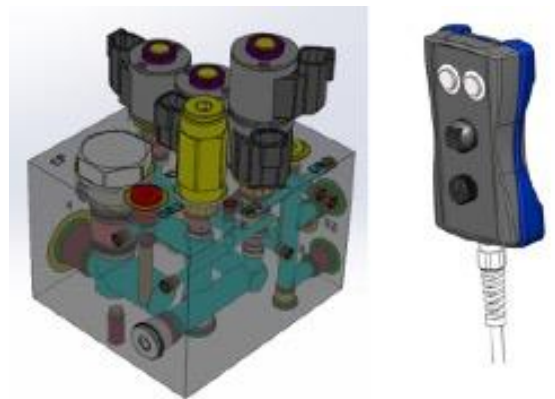
The Fluid Power & Motion Control Experts

INDUSTRY  
CAPABILITIES

## HYDRAULIC AND ELECTRONIC CONTROLS FOR COMPACT TRACK LOADERS

JEM Technical helps OEMs overcome challenges in building complex compact loader attachments with multiple functions requiring simultaneous control by uniquely applying hydraulic manifold and electronic control solutions.

- Complete control packages using advanced market technologies that meet both hydraulic and electronic needs
- Simultaneous control, automation, and added circuit protections for multiple functions
- Highly skilled JEM engineers work closely with customers to design custom systems specific to application needs.
- JEM's expert controls division collaborates with clients to develop custom user interfaces with electric control packages including pendants, wireless controls, sensors, and harnessing.
- Applications include: snow blowers, asphalt mills, stump grinders, angle brooms, soil conditioners, tree spades



Contact us to learn more today.

**(888) 256-8266**

[info@jemtechnical.com](mailto:info@jemtechnical.com)

